

**Main Faucet Filter**

**AOW-100**

**GOOD PERFORMANCE**

Enjoy great-tasting water straight from your kitchen faucet without sacrificing water pressure. Our high flow filter keeps water pressure strong with a flow rate of 1.5 gallons per minute.

- Reduce up to 99% of lead, cysts, chlorine, taste and odor
- IAPMO certified to NSF/ANSI standards 42 & 53
- No electricity required
- Single stage filter attaches directly to your cold water line
- Works with existing kitchen faucet - no dedicated faucet required
- Designed for easy installation and quick, simple filter changes



**1 year limited warranty**



**Perfect for 1-5+ people**



PART #100314965

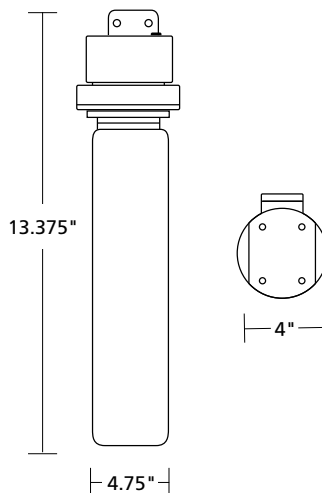
**Specifications**

AOW-100	
Flow Rate	1.5 GPM
Capacity	4,750 gal
Warranty	1 year
Min Pressure	10 psi
Max Pressure	125 psi
Min Temperature	35° F (1° C)
Max Temperature	100° F (37° C)
Cold Water Line*	Yes
Certification #'s	42 & 53
Certifier	IAPMO
Cartridge Length	10"
Dims (L x W x D)	13.375" x 4.75" x 4"
Connections I/O	3/8" push fit

\*Use on cold water line only. Will not filter hot water.

**Installation Location**

- Fits under sink
- Install vertical or horizontal



**Replacements**

- Replace every year or 4,750 gallons



**AOW-100-R**  
PART #100314969

## Main Faucet Filter

## AOW-100

Performance Data Sheet for the A. O. Smith Main Faucet Filter					
Models	Replacement	Operating pressure range	Rated capacity	Operating temp. range	Rated flow
AOW-100	AOW-100-R	10-125 psi 68.95-861.8 kPa	4750 gallons 17,980 liters	35-100 F 1.66-37.78 C	1.5 gpm 5.67 lpm
Manufactured by: A. O. Smith Corporation   P.O. Box 1597   Johnson Creek, TN 37605-1597   833.232.9711					

Testing Performed under NSF/ANSI Standards 42 and 53 and in accordance with the California Department of Health Services Drinking Water Treatment Device Program. This system has been tested according to NSF/ANSI 42 and 53 for reduction of the substances listed below. The concentration of the indicated substances in water entering the system was reduced to a concentration less than or equal to the permissible limit for water leaving the system, as specified in NSF/ANSI 42 and 53.

Substance	Average Influent	NSF/ANSI Influent Challenge Concentration	Percent Reduction Requirement/ Maximum Permissible Product Water Concentration	Average % Reduction	Average Product Water Concentration
<b>NSF/ANSI 42 – Aesthetic Effects</b>					
Chlorine	2.01 mg/L	2.0 mg/L ± 10%	≥ 50%	>94.8%	0.103 mg/L
Particulate, Class I particles 0.5 to < 1 µm	3,666,667 particles/mL	At least 10,000 particles/mL	≥ 85%	99.2%	28,017 particles/mL
<b>NSF/ANSI 53 – Health Effects</b>					
Cyst	71,500/L	Minimum 50,000/L	> 99.95%	99.99%	4.88/L
Lead pH 6.5	0.151 mg/L	0.15 mg/L ± 10% mg/L	0.010 mg/L	>99.7%	0.005 mg/L
Lead pH 8.5	0.16 mg/L	0.15 mg/L ± 10% mg/L	0.010 mg/L	>99.2%	0.0011 mg/L

Not all water will contain contaminants listed. Testing performed under standard laboratory conditions; actual performance may vary. Filter usage must comply with all state and local laws. Filter is only to be used with cold water. Do not use with water that is microbiologically unsafe or of unknown quality without adequate disinfection before or after the system. Systems certified for cyst reduction may be used on disinfected water that may contain filterable cysts. See installation guide for general installation conditions and needs as well as manufacturer's limited warranty.



Tested and Certified by IAPMO R&T Lab and IAPMO R&T against NSF/ANSI 42 for the reduction of Chlorine, Taste and Odor and Particulate Class I; NSF/ANSI 53 for the reduction of Cyst and Lead; and NSF/ANSI 372 for low lead compliance as verified and substantiated by test data.

All contaminants reduced by this filter are listed. Not all contaminants listed may be present in your water. Does not remove all contaminants that may be present in tap water.

- Filter is only to be used with cold water.
- Testing was performed under standard laboratory conditions, actual performance may vary.
- See owner's manual for general installation conditions and needs plus manufacturer's limited warranty.
- Filter usage must comply with all state and local laws.
- Systems certified for cyst reduction may be used on disinfected waters that may contain filterable cysts.

For use with municipally treated water only. Do not use with water that is microbiologically unsafe or of unknown water quality without adequate disinfection before or after the system.