

Water Conditioner

FC-600

Lengthen the life of your appliances and reduce scale buildup in pipes and plumbing while reducing more than 96% of chlorine throughout your entire home.

- Salt-free technology – no cleaning, backwashing, salt-bags or electricity required
- Reduce scale build up and more than 96% of chlorine for up to 6 years or 600,000 gallons
- NSF certified to NSF/ANSI standards 42
- City or Well Water – engineered to work with both
- Includes one whole house Water Conditioner and one hose adapter



6 year limited warranty



Perfect for homes with 1-3 bathrooms



Improves skin & hair softness



Engineered for city or well water



PART #100314964

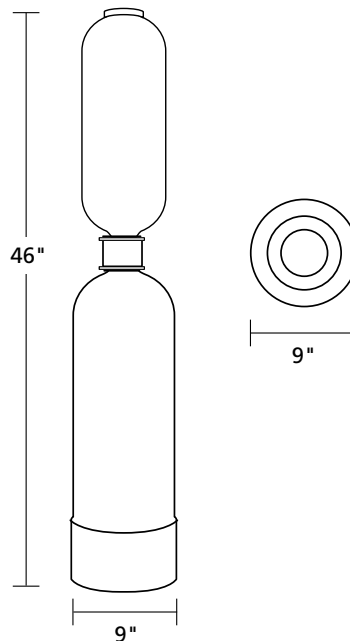
Specifications

AOW-FC600	
Flow Rate	7 GPM
Capacity	600,000 gal
Warranty	6 years
Min Pressure	20 psi
Max Pressure	100 psi
Min Temperature	40° F (4° C)
Max Temperature	90° F (32° C)
Cold Water Line*	Yes
Certification #'s	42
Certifier	NSF
Dims (L x W x D)	46" x 9" x 9"
Connections I/O	1" FIP
Max Iron Rating	Up to 0 parts per million

*Use on cold water line only. Will not filter hot water.

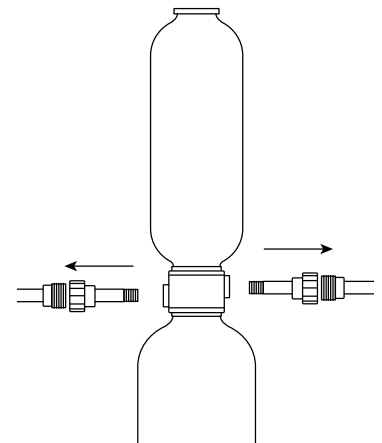
Installation Location

- Place before softener or water heater



Replacements

- Replace every 6 years or 600,000 gallons
- Replace entire tank, no need to change media



Water Conditioner

FC-600

Performance Data Sheet for the A. O. Smith Main Faucet Water Filter

Models	Replacement	Operating pressure range	Rated capacity	Operating temp. range	Rated flow
AOW-FC600	AOW-FC600	100 psi 689.5 kPa	600,000 gallons 2,271,247 liters	40 - 90° F 4.44 - 32.2° C	7 gpm 26.5 lpm
Manufactured by: A. O. Smith Corporation P.O. Box 1597 Johnson Creek, TN 37605-1597 833.232.9711					

Testing Performed under NSF/ANSI Standards 42 for reduction of the substances listed below. The concentration of the indicated substances in water entering the system was reduced to a concentration less than or equal to the permissible limit for water leaving the system, as specified in NSF/ANSI 42.

NSF/ANSI 42	Influent Challenge Chlorine	Minimum reduction	Overall % reduction	Results
Chlorine Reduction, Free Available	2 mg/L ±10%	≥50%	>96.9 %	Pass

DATA SUMMARY TABLE

Sample Point	Accumulated Volume (gal)	Dynamic Pressure (psi)	Chlorine, Free Available (mg/L)		Flow Rate (gpm)
	Effluent 1	Influent	Influent	Effluent 1	Effluent 1
Startup	150	61	2.2 ND(0.05)	ND (0.05)	7.1
10%	60,000	61	2.2 ND(0.05)	ND (0.05)	7.0
20%	120,000	60	1.9 ND(0.05)	ND (0.05)	7.0
30%	180,000	60	2.2 ND(0.05)	ND (0.05)	7.0
40%	240,000	60	2.1 ND(0.05)	ND (0.05)	7.0
50%	300,000	60	2.1 0.05	0.05	7.0
60%	360,000	61	2.1 ND(0.05)	ND (0.05)	7.1
70%	420,000	60	2.2 0.09	0.09	7.1
80%	480,000	61	1.9 ND(0.05)	ND (0.05)	7.1
90%	540,000	61	2.0 ND(0.05)	ND (0.05)	6.9
100%	600,000	61	2.0 0.18	0.18	7.1



System Tested and Certified by NSF International against NSF/ANSI Standards 42 for the reduction of Chlorine, taste and odor as specified on the performance data sheet and at www.nsf.org.

All contaminants reduced by this filter are listed. Not all contaminants listed may be present in your water. Does not remove all contaminants that may be present in tap water.

- Filter is only to be used with cold water.
- Testing was performed under standard laboratory conditions, actual performance may vary.
- See owner's manual for general installation conditions and needs plus manufacturer's limited warranty.
- Filter usage must comply with all state and local laws.
- Systems certified for cyst reduction may be used on disinfected waters that may contain filterable cysts.

For use with municipally treated water only. Do not use with water that is microbiologically unsafe or of unknown water quality without adequate disinfection before or after the system.