

ALL NEW AND IMPROVED
Exclusive products to A. O. Smith PRO

AO Smith.

PRO

Water Softeners

Protect your home from the effects of hard water. Reduce scale buildup, eliminate water spots and stains, and extend the life of your appliances.



AOW-S500 Water Softener

50,000 GRAIN CAPACITY

Perfect for homes with **3-5 bathrooms**

PART #100037597



WiFi
Enabled

AOW-S400 Water Softener

36,000 GRAIN CAPACITY

Perfect for homes with **1-2.5 bathrooms**

PART #100037605

Softener Features



KDF media

Reduces chlorine, taste & odor



Fast and quiet regeneration

Quickly recharges softening media so you're never without soft water



Get peace of mind with our limited warranty

1 year complete unit
3 year electronics
6 year valve
12 year media tank & cabinet



Power loss protection

Backup battery saves your settings in case of power loss



Smart touch control panel

Easily modify settings with touchscreen



No sediment filter changes - ever.

Save time and money with the self-cleaning sediment filter

ALL NEW AND IMPROVED

Exclusive products to A. O. Smith PRO



AOW-S400

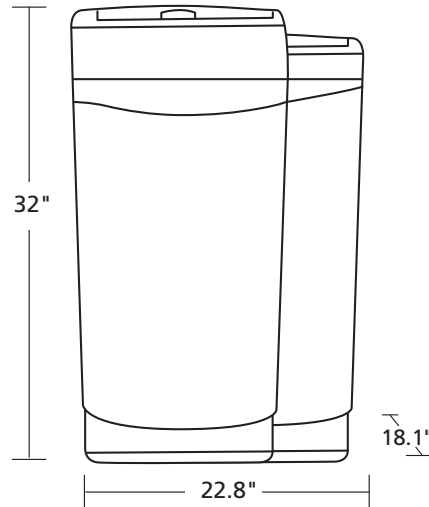
36,000 Grain Capacity

Specifications

AOW-S400	
Flow Rate	7.5 GPM (28.4 L/min)
Grain Capacity	36,000
Warranty	1 yr complete unit 3 yr electronics 6 yr valve 12 yr media tank and cabinet
Min Pressure	20 psi (1.4 bar)
Max Pressure	120 psi (8.3 bar)
Min Temperature	40°F (4°C)
Max Temperature	120°F (49°C)
Inlet/Outlet	1" MIP
Certification #	Standard 44
Certifier	NSF/ANSI
Max Iron Rating	10 parts per million

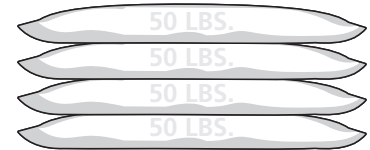
Installation Location

- Place before water heater



Salt Storage Capacity

- 200 lbs



AOW-S500

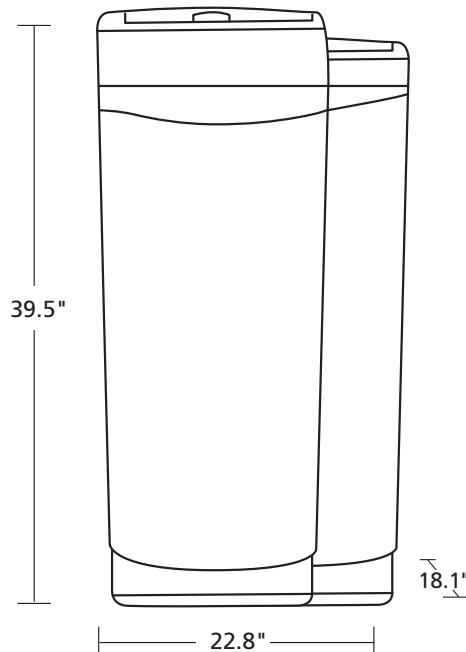
50,000 Grain Capacity

Specifications

AOW-S500	
Flow Rate	7 GPM (26.5 L/min)
Grain Capacity	50,000
Warranty	1 yr complete unit 3 yr electronics 6 yr valve 12 yr media tank and cabinet
Min Pressure	20 psi (1.4 bar)
Max Pressure	120 psi (8.3 bar)
Min Temperature	40°F (4°C)
Max Temperature	120°F (49°C)
Inlet/Outlet	1" MIP
Certification #	Standard 44
Certifier	NSF/ANSI
Max Iron Rating	10 parts per million
WiFi Enabled	Yes

Installation Location

- Place before water heater



Salt Storage Capacity

- 200 lbs

